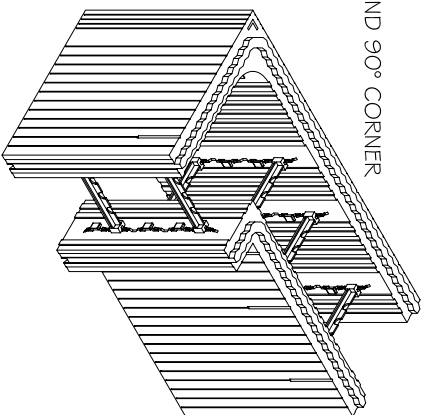
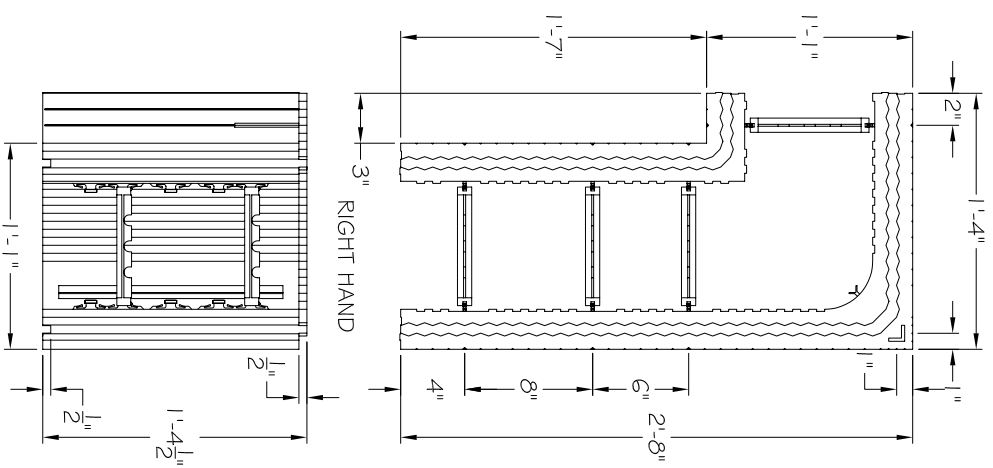


LEFT HAND 90° CORNER



RIGHT HAND 90° CORNER



NOTE:
IT IS THE RESPONSIBILITY OF THE DESIGNER / END USER TO VERIFY THAT STRUCTURES BUILT WITH ECO-BLOCK HAVE BEEN DESIGNED, ENGINEERED, AND CONSTRUCTED IN ACCORDANCE WITH ALL APPLICABLE BUILDING CODES AND REGULATIONS

OUTER WALL AREA = 5.33 SQ. FT. PER BLOCK
CONCRETE VOLUME = 0.095 CU. YD. PER BLOCK

ECO-Block, LLC

INSULATING CONCRETE FORMS
THE BEST FORM FOR ANY FUNCTION



11220 GRADER STREET
SUITE 700
DALLAS, TX 75238
214-503-1644 800-503-0901
WWW.ECO-BLOCK.COM

STANDARD SYSTEM
90° CORNERS
8" FORMS

DATE: 5/21/2002

SCALE: 1" = 1'-0"

REVISION:

DRAWING NUMBER:

M-10-0007