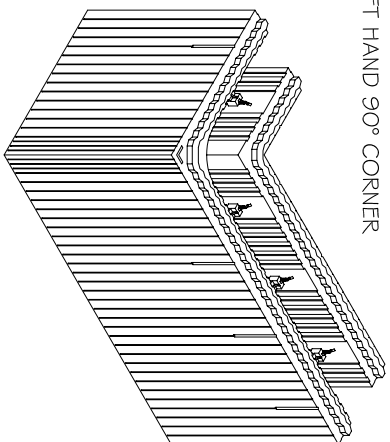
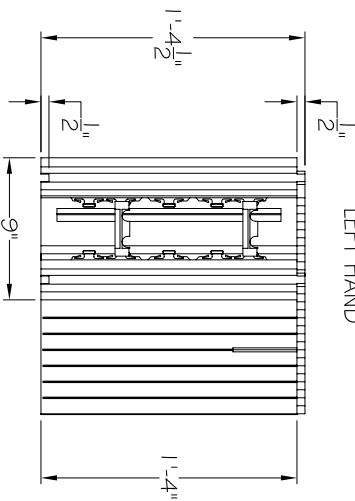


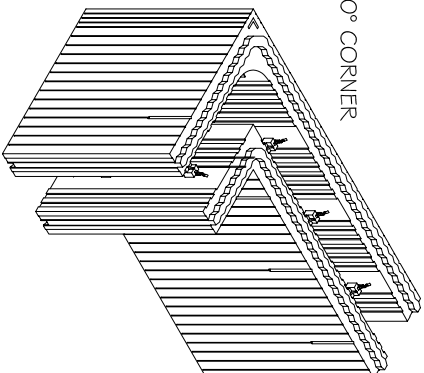
LEFT HAND 90° CORNER



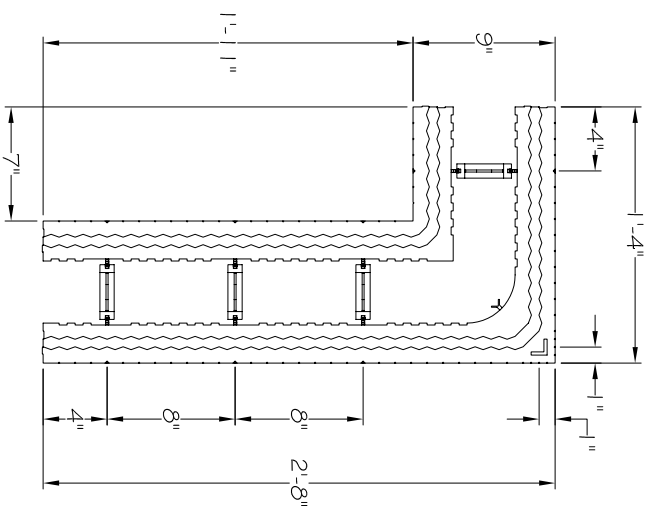
LEFT HAND



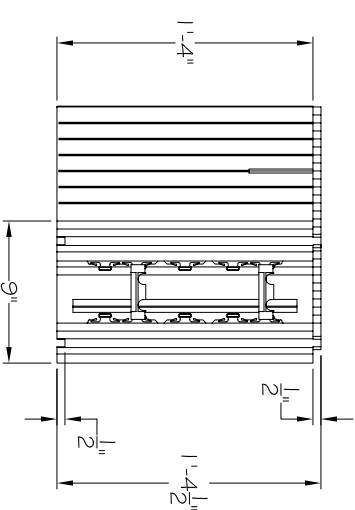
RIGHT HAND 90° CORNER



RIGHT HAND



OUTER WALL AREA = 5.33 SQ. FT. PER BLOCK
 CONCRETE VOLUME = 0.053 CU. YD. PER BLOCK



NOTE:
 IT IS THE RESPONSIBILITY OF THE
 DESIGNER / END USER TO VERIFY THAT
 STRUCTURES BUILT WITH ECO-BLOCK
 HAVE BEEN DESIGNED, ENGINEERED, AND
 CONSTRUCTED IN ACCORDANCE WITH ALL
 APPLICABLE BUILDING CODES AND REGULATIONS

ECO-Block, LLC

INSULATING CONCRETE FORMS
 THE BEST FORM FOR ANY FUNCTION



11220 GRADER STREET
 SUITE 700
 DALLAS, TX 75238
 214-503-1644 800-503-0901
 WWW.ECO-BLOCK.COM

STANDARD SYSTEM

90° CORNERS
 4" FORMS

DATE: 5/21/2002

SCALE: 1" = 1'-0"

REVISION:

DRAWING NUMBER:

M-10-0005